

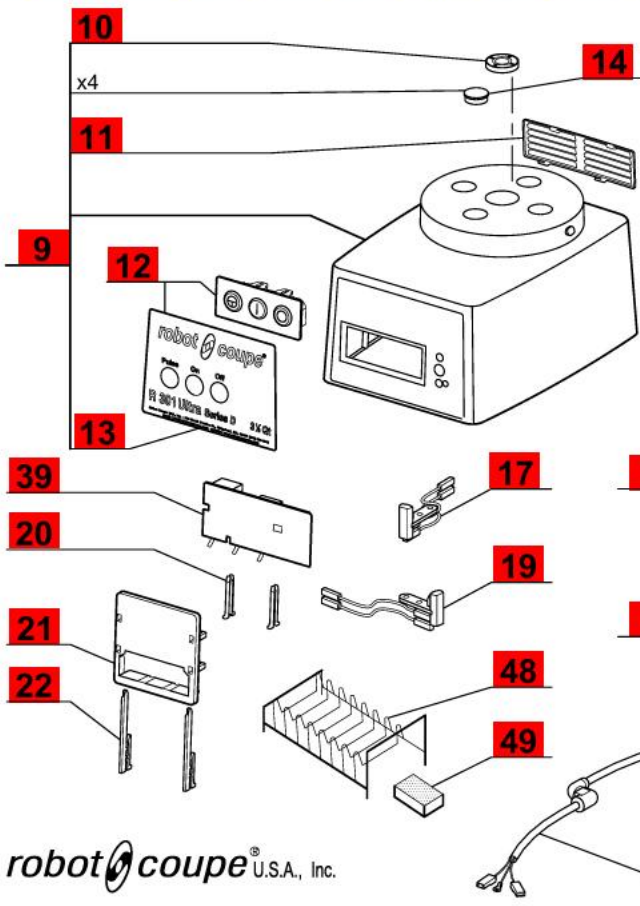
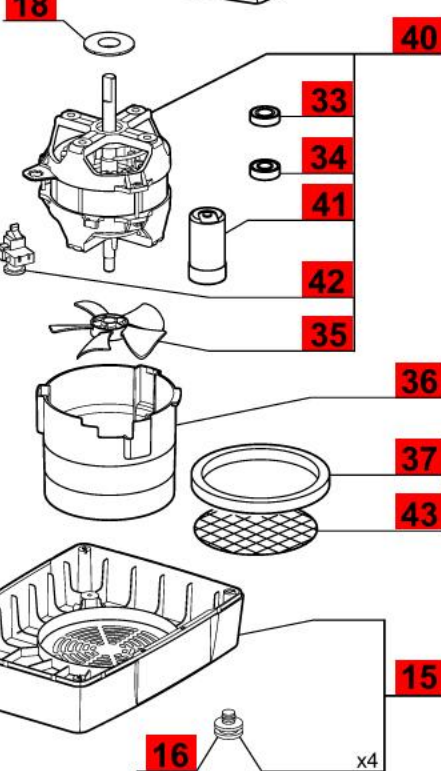
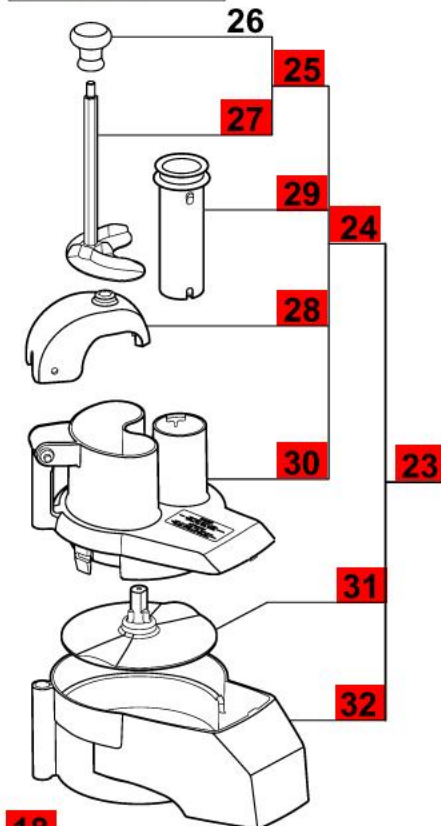
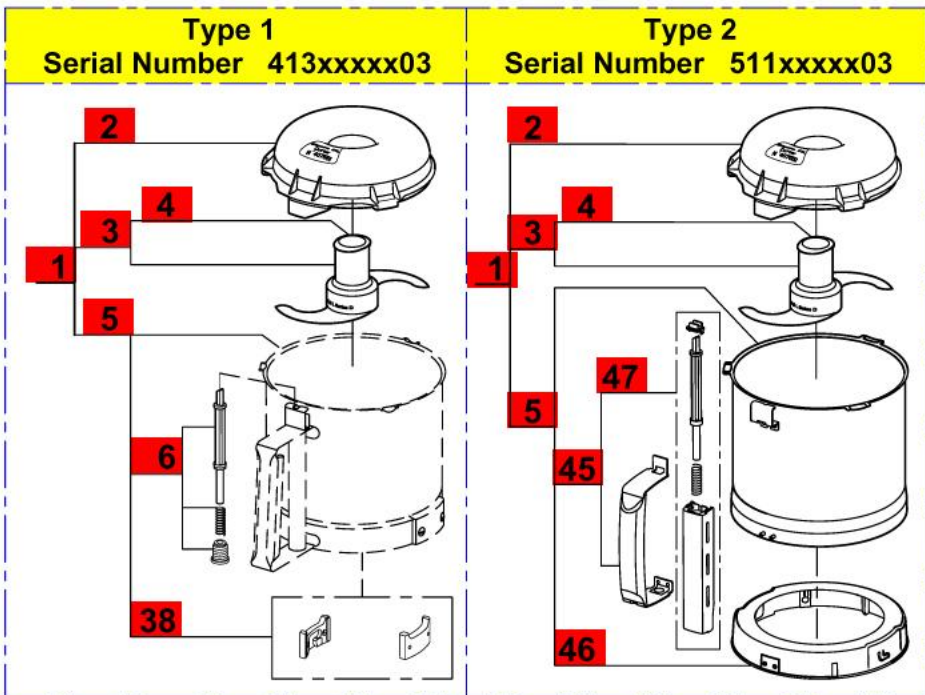


**WARNING :**

Choose the spare parts in accordance with the bowl type. As the complete bowl or the cutter attachment are fully interchangeable, for all types choose respectively item 5 or 1.

Click on Red Dot  
OR  
Call us  
800-465-6060

CLICK HERE FOR DISCS



ETL LISTED 9900098  
Conforms to  
UL NSF/ANSI  
Std 763 Std 8  
Certified to  
CAN/CSA  
Std C22.2 No.195