

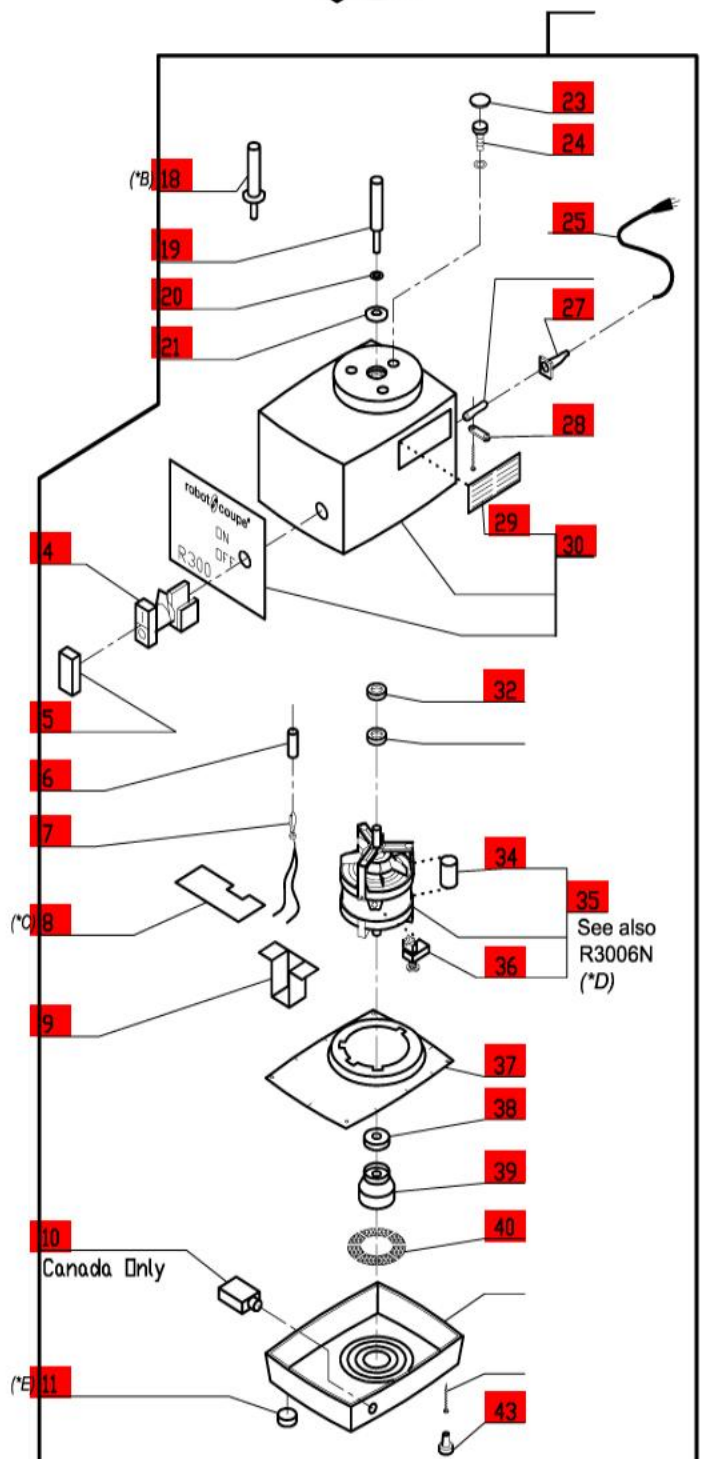
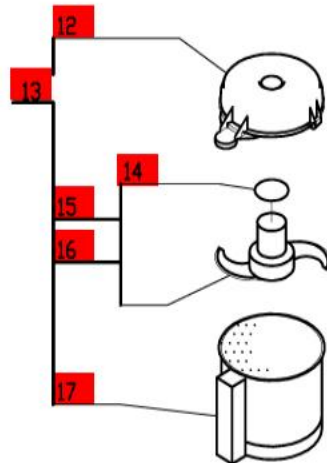
To Serial Number FP002243. Also Ser. Numbers 34/xxxxx

1-Speed, 120 Volt, 1 Phase, 60Hz., 1/2 HP.

1725 RPM, 9 Amps



Click on Red Dot
OR
Call us
800-465-6060



(*B) Plastic shaft cover is still available for machines 12/xxxxx

(*C) Part number R3040 comes complete with magnetic switch.

(*D) R3006N motor with plastic shaft cover R3024 is no longer available. Use a R3006U motor with R3064U shaft, R3065U deflector, R240 power cord, R3034 strain relief, and R3045 cord protector.

The R3006UB motor and the R3006K motor conversion kit cannot be used on R300 models.

(*E) After serial number 34/36801 use R101 white foot.

ACCESSORIES

